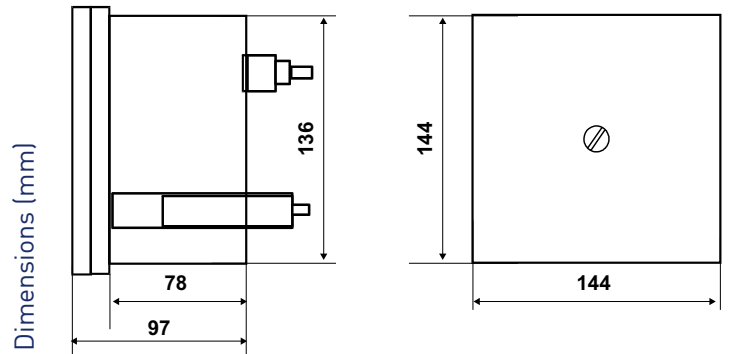


P30A

Electronic control unit for gas leak detection with 3 detection zones

It is suitable for controlling and signaling dangerous gas concentration in the air, specifically for detecting natural gas, methane gas, city gas and LPG (cylinder gas) excesses, etc.



	Power supply	Contacts rating	Alarm delay adjusting sec.	Connected sensors	Operating ambient temperature °C	Protection degree
P30A	230Vca - 50Hz or 12Vcc	5A - 250V	0 ÷ 60	3	- 10 ÷ 50	IP40

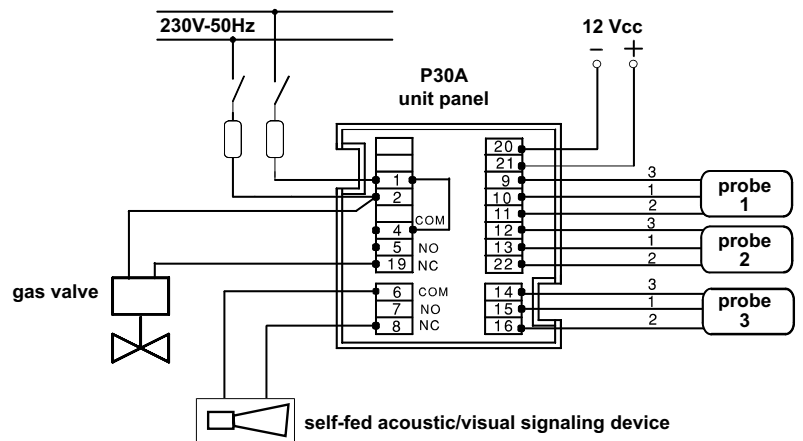
ELECTRICAL CHARACTERISTICS

Power supply: 230V - 50Hz or 12Vcc.

Consumption: 15VA.

Output through 2 electromagnetic relays with voltage free contacts.

Contacts rating: 5A - 250Vca (resistive load).



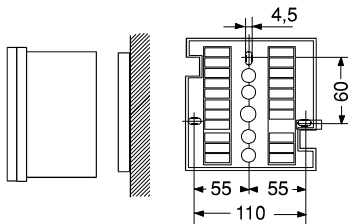
STANDARDS AND APPROVALS

In conformity with EN 60730-1 standards.

INSTALLATION

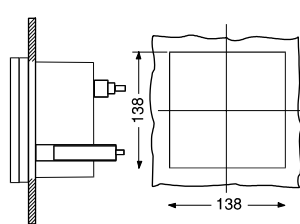
Mounting possibilities: on the wall, on the panel with special brackets and embedded.

Wall mounting

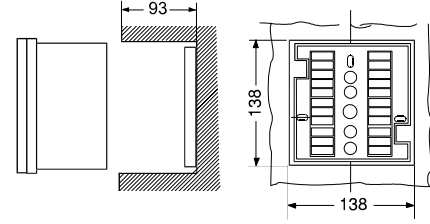


Rear panel mounting

With brackets for rear panel mounting type 303326D



Embedded



OPERATION

P30A electronic control unit for gas leak detection, suitable for industrial environment, equipped with specific sensors (S71 for methane, S72 for LPG), is used for controlling and signaling dangerous gas concentration in the air, specifically for detecting natural gas, methane gas, city gas and LPG (cylinder gas) excesses, etc.

When in the controlled area there is a gas concentration that exceeds the prescribed level, the device triggers on the electromagnetic valve to stop the gas inflow, simultaneously giving a visual and acoustical alarm. In addition to the internal alarm system an external siren can also be controlled.

It is evident that the established intervention level is much more inferior to the danger concentration, in order to allow the necessary time to operate before the exhalation of a gas-air explosive or toxic mix becomes dangerous for a human being.

Three different type sensors can be connected to the same detector for controlling several areas or to control different gas types. In case of gas leaks a luminous led on the control unit will indicate the interested area.

The alarm and the operation of the gas interception valve can be delayed up to approximately one minute (adjustable by means of the unit) to prevent accidental actions.

INTERNAL ALARMS

- Instantaneous, visual with area indication (Red Led).
- Delayed, acoustic and visual.

EXTERNAL ALARMS

Two relays with changeover voltage free contacts are available:

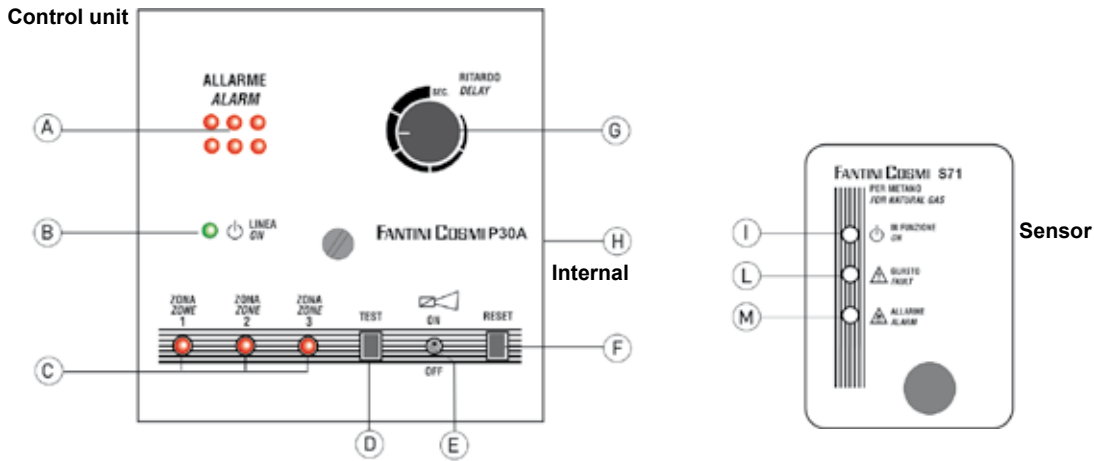
- one to operate the interception valves;
- one to operate an external horn (disabled);
- other safety devices.

Choose the gas interception valve among ZD... series, normally closed with quick on and off release switch, class A with approval (or corresponding models) according to diameter and gas pipe type.

Install the valve in the most appropriate place of the system, downstream the counter or at the exit of the storage tanks.

Detection sensors should be fixed on the wall at a distance of approximately 2 meters from the gas using device in such position in order to allow natural air circulation:

- S71 for specific light gases (methane gas, city gas), this sensor has to be installed at a high level approximately 30-40 cm from the ceiling.
- S72 for heavy gases (cylinder liquid gas LPG), this sensor has to be installed to a low level approximately 30-40 cm above the floor.



- A Visual indicator: normally switched off, flashes in case of alarm. It can be switched off only through the test button.
- B Voltage indicator: always switched on.
- C Alarm sensors indicators: normally switched off. They switch on when the relative sensor sends an alarm signal. They switch off when the gas concentration returns within the allowed limits.
- D Test button to verify the device, except for the sensors.
- E Switch for external siren silencing: it allows switching off the siren even during an alarm situation.
- F Reset switch to stop the alarm after the cause has been removed.
- G Intervention delay: unique for all sensors, regulates the delay after which a warning situation has been detected by individual sensors and activates the general alarm.
- H Acoustic signaling unit: positioned inside the control unit, operates in case of alarm. It can be switched off only through the reset button.
- I Voltage indicator: always switched on.
- L Sensor failure indicator.
- M Alarm sensor indicator: normally switched off, it operates and remains on for all the time during which the detected gas concentration is above the prescribed value.

TECHNICAL FEATURES

Casing and base made of insulating material, transparent cover. Protection degree IP 40.
 Outlet through electromagnetic relays on voltage free terminals, protected with RC group against radio interference (in conformity with D.M. 9/10/1980).
 Alarm delay regulation from 0 to 1 minute.

ACCESSORIES



S71
Sensor for methane or light
gases detection.

S72
Sensor for LPG (cylinder liquid
gas) or heavy gases detection.



S80
Emergency signaling device
with fixed light and continuous
sound.



ZD...
Normally closed
electromagnetic valves, with
quick closing and opening,
class A with approval.